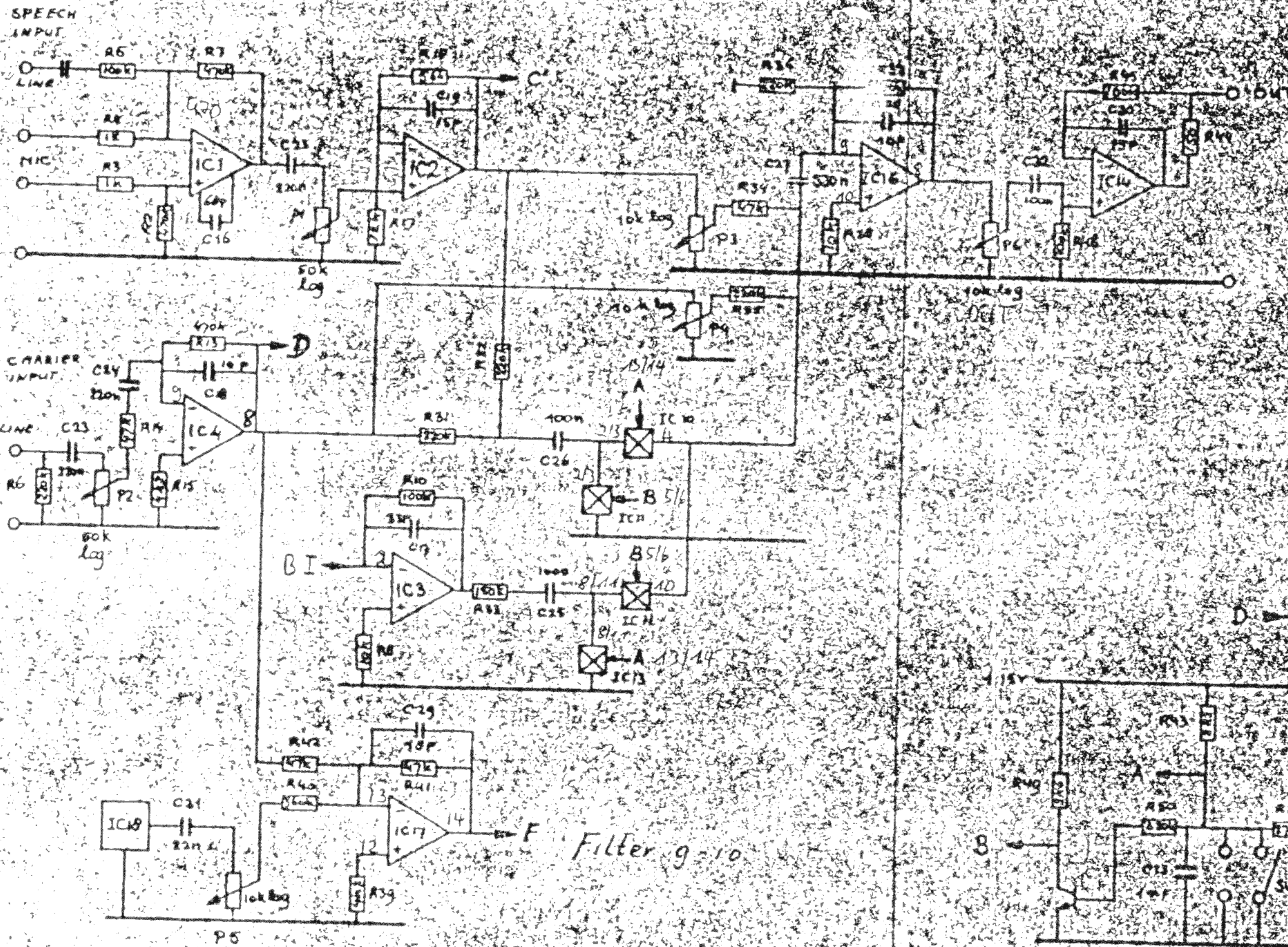
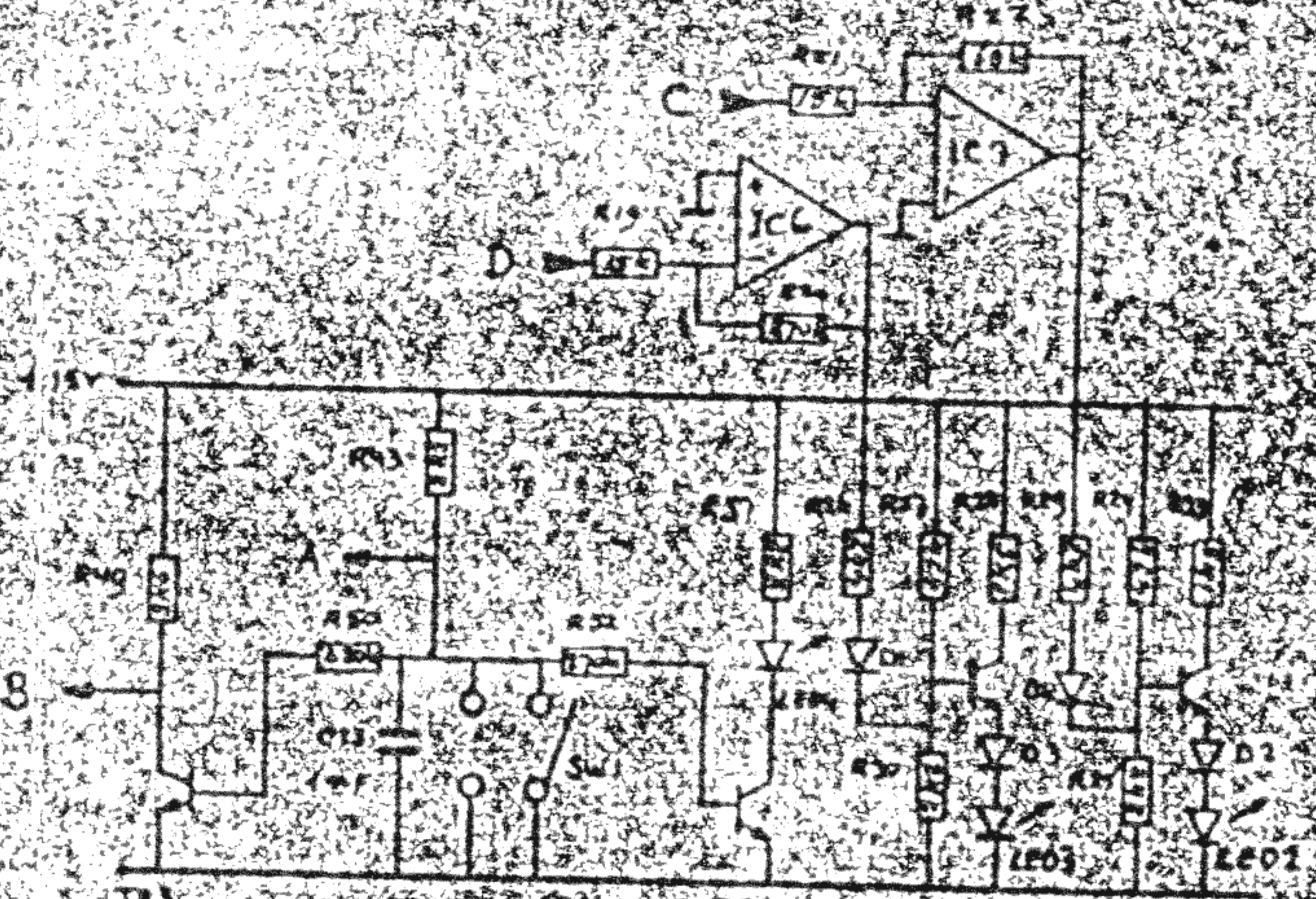


- IC 8 324
- ST1 7815 CK
- ST2 7915 CK
- BR1 BR0 C1500

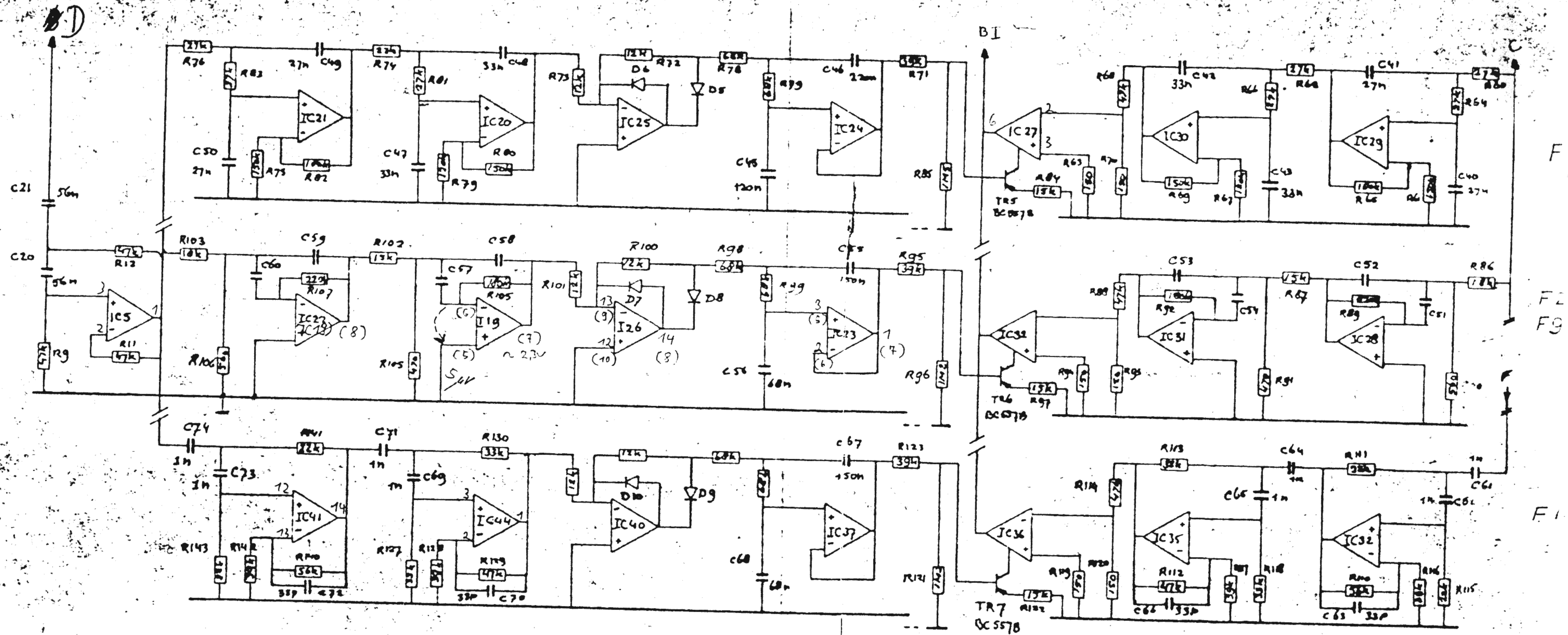


- IC1 - NE531
- IC2 - 741
- IC3 - 741
- IC4 - 741
- IC5 - 741
- IC6 - 741
- IC7 - 741
- IC8 - 741
- IC9 - 741
- IC10 - 741
- IC11 - 741
- IC12 - 741
- IC13 - 741
- IC14 - 741
- IC15 - 741
- IC16 - 741
- IC17 - 741
- IC18 - 741
- IC19 - 741
- IC20 - 741
- IC21 - 741
- IC22 - 741
- IC23 - 741
- IC24 - 741
- IC25 - 741
- IC26 - 741
- IC27 - 741
- IC28 - 741
- IC29 - 741
- IC30 - 741
- IC31 - 741
- IC32 - 741
- IC33 - 741
- IC34 - 741
- IC35 - 741
- IC36 - 741
- IC37 - 741
- IC38 - 741
- IC39 - 741
- IC40 - 741
- IC41 - 741
- IC42 - 741
- IC43 - 741
- IC44 - 741
- IC45 - 741
- IC46 - 741
- IC47 - 741
- IC48 - 741
- IC49 - 741
- IC50 - 741
- IC51 - 741
- IC52 - 741
- IC53 - 741
- IC54 - 741
- IC55 - 741
- IC56 - 741
- IC57 - 741
- IC58 - 741
- IC59 - 741
- IC60 - 741
- IC61 - 741
- IC62 - 741
- IC63 - 741
- IC64 - 741
- IC65 - 741
- IC66 - 741
- IC67 - 741
- IC68 - 741
- IC69 - 741
- IC70 - 741
- IC71 - 741
- IC72 - 741
- IC73 - 741
- IC74 - 741
- IC75 - 741
- IC76 - 741
- IC77 - 741
- IC78 - 741
- IC79 - 741
- IC80 - 741
- IC81 - 741
- IC82 - 741
- IC83 - 741
- IC84 - 741
- IC85 - 741
- IC86 - 741
- IC87 - 741
- IC88 - 741
- IC89 - 741
- IC90 - 741
- IC91 - 741
- IC92 - 741
- IC93 - 741
- IC94 - 741
- IC95 - 741
- IC96 - 741
- IC97 - 741
- IC98 - 741
- IC99 - 741
- IC100 - 741



TITLE	DYNACORD VOICEDER BRV 66	REVISIONS	date: step: no
SCALE		REF	222, 7, 51
DATE	10-6-81	dwg	BRV
		DWG NO.	56/01

TR 5 (-5,3V) - (-0,2pV)
 TR 6 (-5,5V) - (-0,33V)
 TR 7 (-5,5V) - (-0,35)
 TR 9



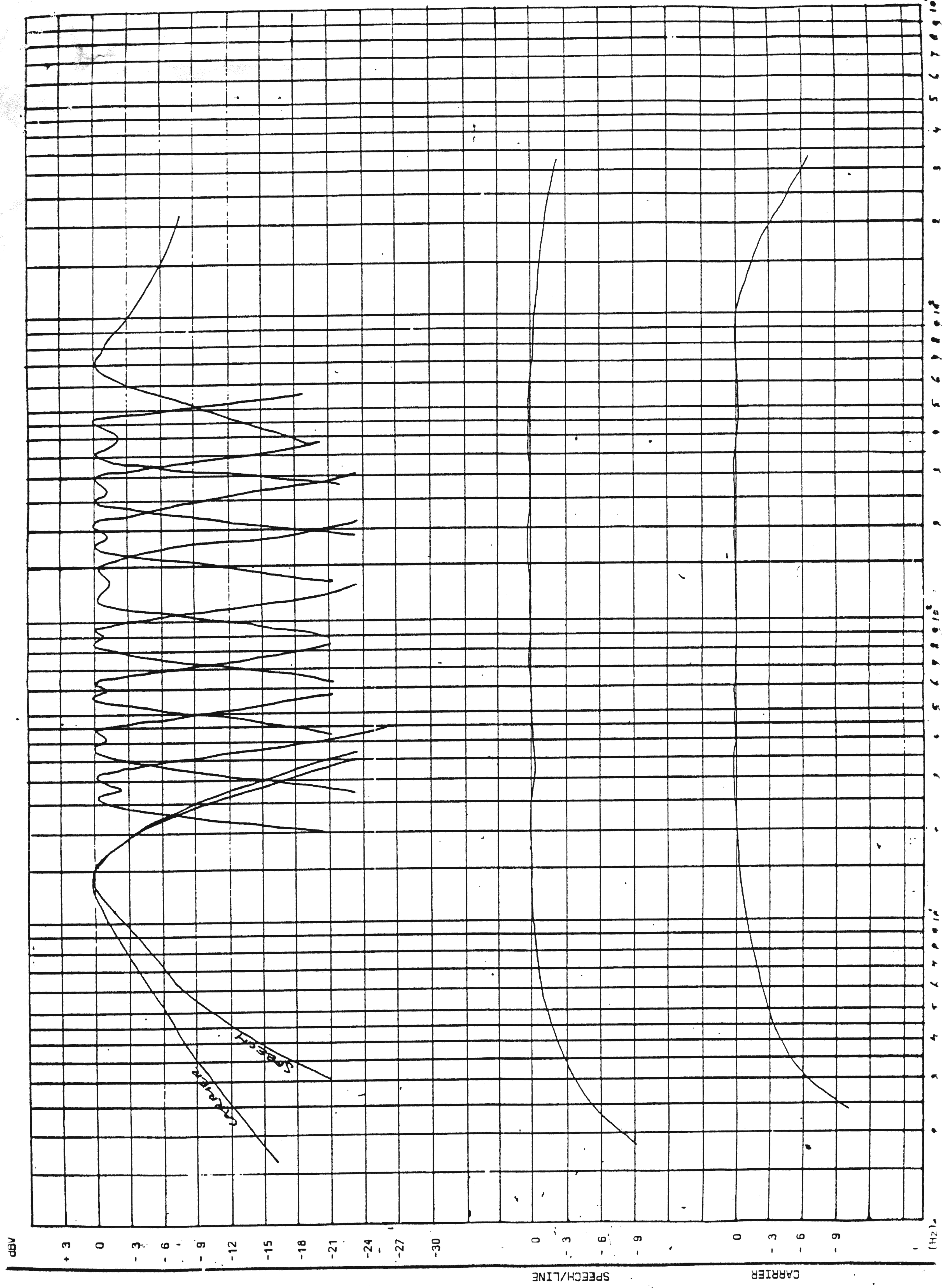
IC5 4741
 IC 32, 35, 37, 40, 41, 44 4741
 IC 19, 22, 23, 26, 28, 31 4741/324
 IC 20, 21, 24, 25, 29, 30 324
 IC 27, 33, 36 3080 select

C51, 52, 53, 54 } F2 = 56n F3 = 39n F4 = 27n F5 = 18n
 C57, 58, 59, 60 } F6 = 12n F7 = 8n2 F8 = 5n6 F9 = 3n9

F1 Low pass filter
 F2-F9 Band pass filter
 F10 Highpass filter.

-1. Sep. 1981

TITLE	DYNACORD VOCODER SRV 66	REVISIONS
SCALE	-	date dwg.n
DATE	10-6-81	REF 222.F.51
	dwg. BV check	
		DWG. NO
		66/02



0 1 2 3 4 5 6 7 8 9 10
0 1 2 3 4 5 6 7 8 9 10
0 1 2 3 4 5 6 7 8 9 10